

# ENGINEERED ANCHOR STRAPS



## REINFORCED BEND

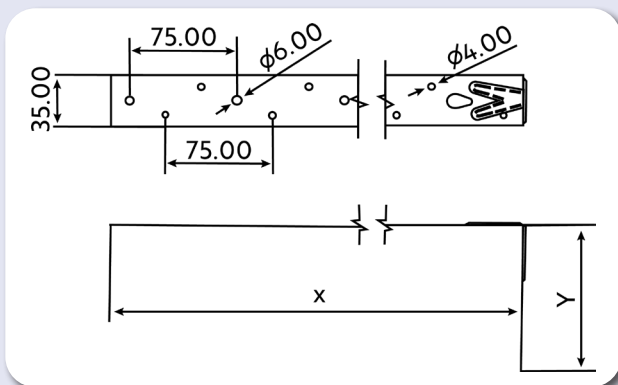
Horizontal engineered restraint straps with a reinforced bend - easy to fit with no notching required.

## BENEFITS

- Quick and easy to install
- No notching required
- Light and easy to handle (only 1.5mm thick)
- Unique "X" reinforcement in the bend for increased performance



## DIMENSIONS



Meets the requirements of BS EN 845-1



Code	Length X (mm)	Bend Y (mm)	Total Length (mm)	Pack Qty	Characteristic Capacity (kN)
RSGEH0600B100	500	100	600	20	8.0
RSGEH0800B100	700	100	800	20	8.0
RSGEH1000B100	900	100	1000	20	8.0
RSGEH1200B100	1100	100	1200	20	8.0
RSGEH1500B100	1400	100	1500	20	8.0

